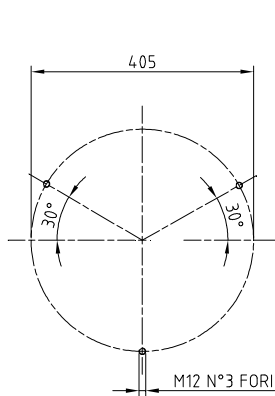
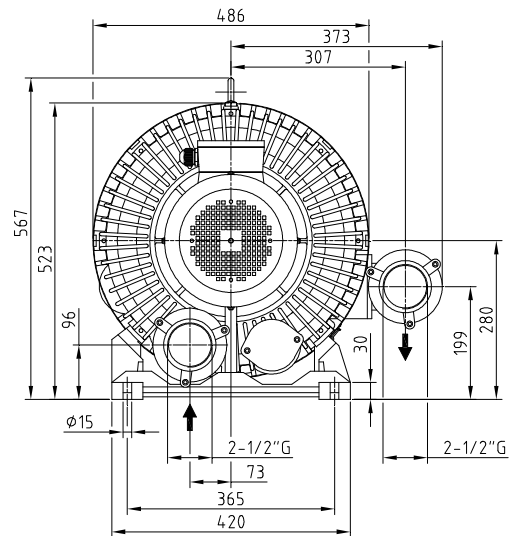
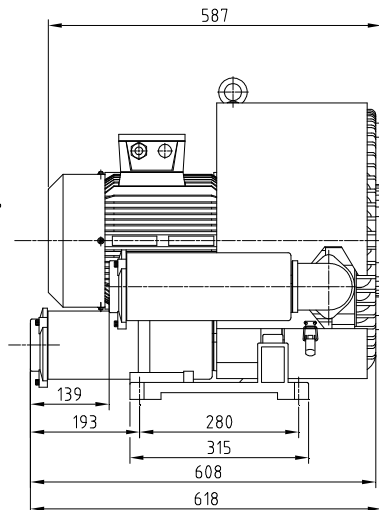
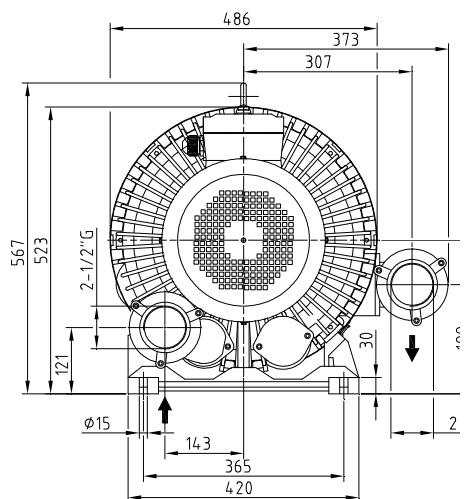
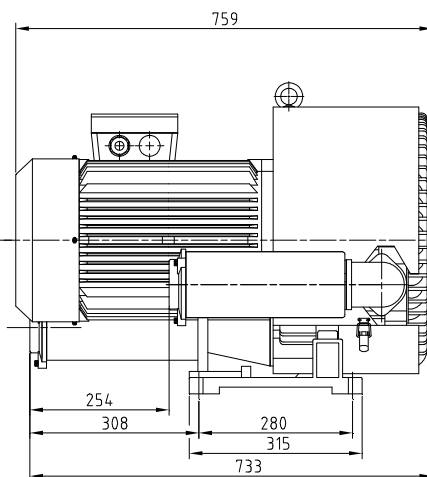


TDC.550

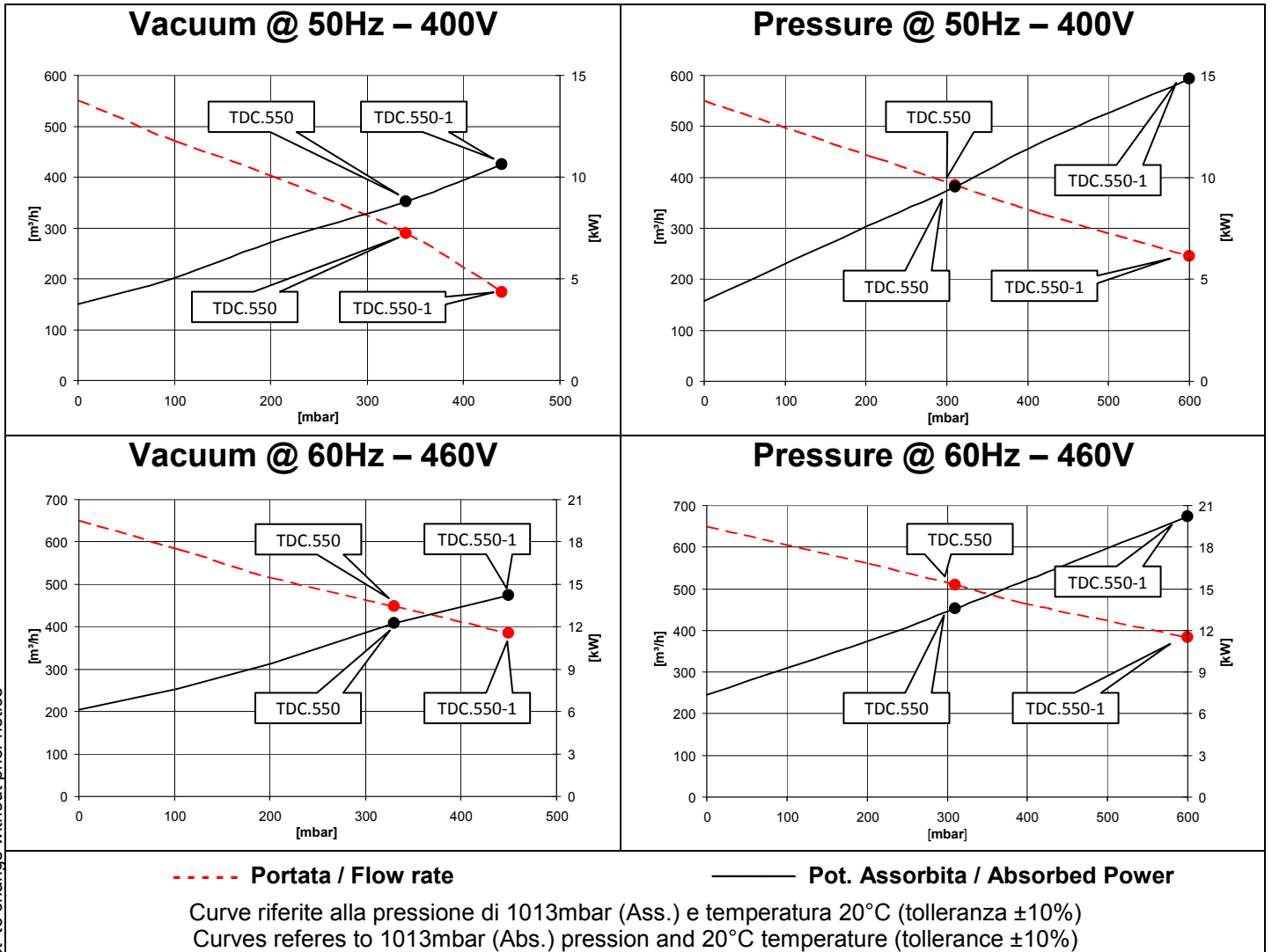


TDC.550-1



Subject to change without prior notice

Modello Model		TDC.550	TDC.550-1
Codice Code		9403037	9403038
Potenza motore Motor Power	kW (50Hz) kW (60Hz)	7,5 9,0	11 13
Alimentazione Power supply	V±5% Δ/Y (50Hz) V±5% Δ/Y (60Hz)	380-440 / 660-760 440-480 / 760-830	
Assorbimento Adsorbition	A Δ/Y (50Hz) A Δ/Y (60Hz)	15,1 / 8,7 19,1 / 11	25 / 14,4 27,5 / 15,9
Portata Flow rate	m ³ /h (50Hz) m ³ /h (60Hz)	550 660	550 660
Vuoto Vacuum	mbar (50Hz) mbar (60Hz)	-340 -330	-440 -450
Sovrappressione Pressure	mbar (50Hz) mbar (60Hz)	+310 +310	+600 +600
Rumorosità (UNI EN ISO 2151) (K 3dB) Noise level (UNI EN ISO 2151) (K 3dB)	dB(A) (50Hz) dB(A) (60Hz)	76 81	76 81
Peso Weight	kg [N]	120 [1177,2]	149 [1461,7]



Subject to change without prior notice

